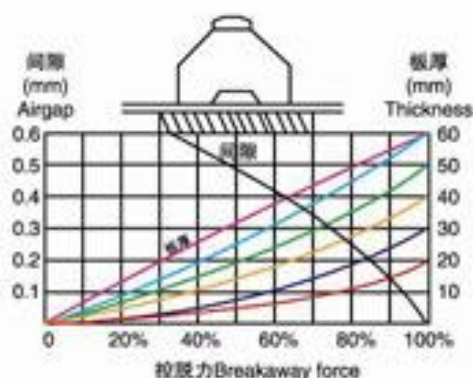
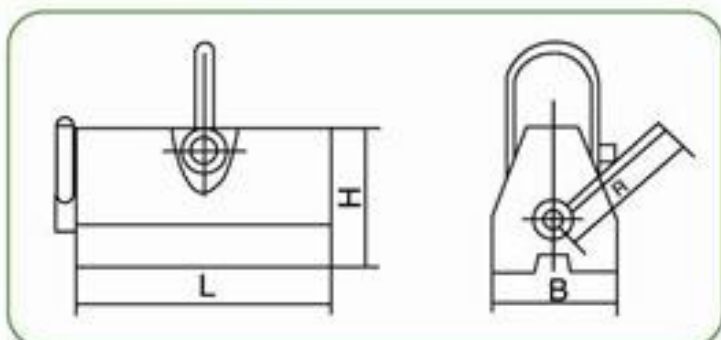


MODEL: DL

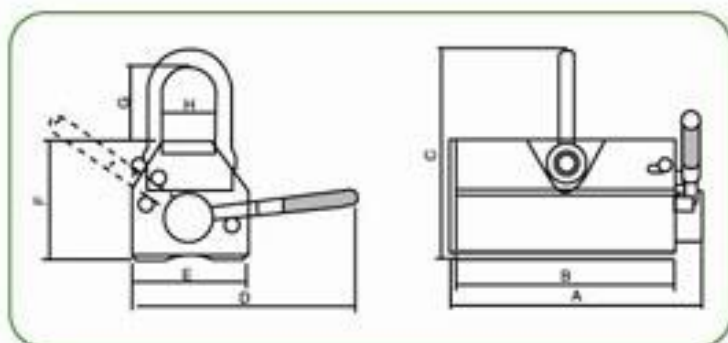
PERMANENT MAGNETIC LIFTER



| 型号 Model | 额定载荷 Rated lifting capacity(kg) | 最大脱脱力 Max. breakaway force(kg) | 主要尺寸Dimensions(mm) | | | | 净重 N.W. (kg) |
|-------------|------------------------------------|-----------------------------------|--------------------|-----|-----|-----|--------------------|
| | | | L | B | H | R | |
| DL-A100 | 100 | 300 | 90 | 63 | 68 | 145 | 3 |
| DL-A400 | 400 | 1200 | 160 | 95 | 180 | 160 | 11 |
| DL-A600 | 600 | 1800 | 220 | 115 | 125 | 230 | 20 |
| DL-A1000 | 1000 | 3000 | 260 | 145 | 145 | 280 | 40 |
| DL-A1500 | 1500 | 3750 | 310 | 145 | 145 | 280 | 48 |
| DL-A2000 | 2000 | 5000 | 340 | 160 | 165 | 280 | 60 |
| DL-A3000 | 3000 | 7500 | 420 | 185 | 185 | 410 | 90 |
| DL-A4000 | 4000 | 10500 | 480 | 200 | 200 | 510 | 120 |
| DL-A5000 | 5000 | 15000 | 580 | 300 | 300 | 650 | 400 |

MODEL: CL

PERMANENT MAGNETIC LIFTER



| 型号 Model | 额定载荷 Rated lifting capacity(kg) | 最大脱脱力 Max. breakaway force(kg) | 主要尺寸Dimensions(mm) | | | | | | | | 净重 N.W. (kg) |
|-------------|------------------------------------|-----------------------------------|--------------------|-----|-----|-----|-----|-----|----|----|--------------------|
| | | | A | B | C | D | E | F | G | H | |
| CL-B100 | 100 | 220 | 107 | 84 | 120 | 125 | 60 | 71 | 41 | 30 | 3 |
| CL-B300 | 300 | 660 | 180 | 155 | 156 | 185 | 90 | 93 | 51 | 41 | 11 |
| CL-B600 | 600 | 1320 | 255 | 224 | 212 | 260 | 115 | 120 | 77 | 52 | 20 |
| CL-B1000 | 1000 | 2200 | 280 | 245 | 286 | 371 | 165 | 169 | 97 | 87 | 40 |