

PAWELL



ELECTRIC WIRE ROPE HOIST

Low Headroom Wire Rope Hoist

Under-slung Wire Rope Hoist

Fixed Type Wire Rope Hoist

Double Girder Wire Rope Hoist

PW Wire Rope Hoist

New Technology, New Product, New Horizons

Hoist Motor

Hoisting three in one from ABM Germany originally



Overload Limiter

High sensitivity, Can be set by customers' request



Limit Switch

Worm adjusting, four-level limiting stopper



Rope Guide

High-strength Nylon adopted. Less wearing. Prolong wire rope service life.



Wire Rope

2160N/mm², Zinc surfacing-plating.



Electricals

Electricals from Schneider-electric Germany originally



Quick Electric Connector

It achieve quick, correct, safety, and reliable assembly in the site

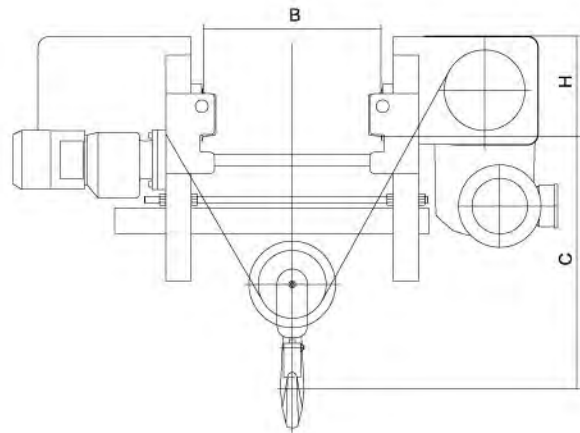


Pendant Control

GG brand from Italy. Protect grade IP65



PW Low Headroom Wire Rope Hoist
Capacity: 2t~12.5t



High efficiency and make more of space.

Accurate orientation, Highly-efficient operation, Improved logistics efficiency.

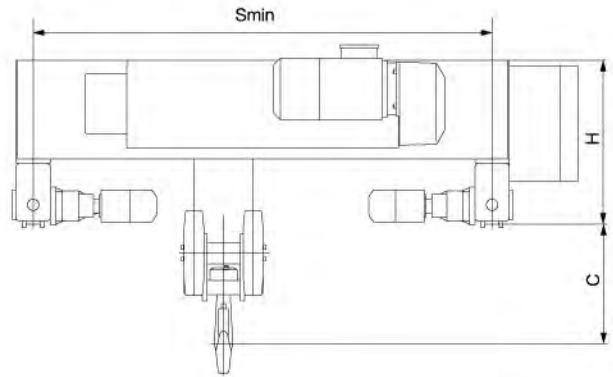
Safe and reliable, montloed operation, easy maintance.

Modularized design, Lower maintenance cost, Perfect spare parts and components services.

 Technical Parameters

Capacity (t)	Lifting height (m)	Model	Lifting speed (m/min)	Hoist Motor (Kw)	Travel speed (m/min)	Trolley Motor (Kw)	Hoist Duty		Trolley Duty		H (m)	C (m)	Adapted beam width mm
							FEM	ISO	FEM	ISO			
2000	6,9,12,15,18	PWL02	5/0.8	3.2/0.45	20/5	0.37	3M	M6	2M	M5	210	556	150~300
3200	6,9,12,15,18	PWL03	5/0.8	3.2/0.45	20/5	0.37	3M	M5	2M	M5	210	556	150~300
5000	6,9,12,15,18	PWL05	5/0.8	6.1/1	20/5	0.37	2M	M5	2M	M5	260	596	200~350
6300	6,9,12,15,18	PWL06	5/0.8	6.1/1	20/5	0.37	1Am	M4	2M	M5	260	596	200~350
8000	6,9,12,15,18	PWL08	5/0.8	9.5/1.5	20/5	0.75	3M	M6	2M	M5	325	750	200~410
10000	6,9,12,15,18	PWL10	5/0.8	9.5/1.5	20/5	0.75	2M	M5	2M	M5	325	750	200~410
12500	6,9,12,15,18	PWL12	4/0.6	12.5/2	20/5	0.75	1Am	M4	2M	M5	325	750	200~410
16000	6,9,12,15,18	PWL16	4/0.6	16/2.6	20/5	0.75x2	2M	M5	2M	M5	400	920	300~450
20000	6,9,12,15,18	PWL20	4/0.6	16/2.6	20/5	0.75x2	1Am	M4	2M	M5	400	920	350~450
8000	20,24,28,32,36	PWL08H	8/1.3	12.5/2	20/5	0.75	2M	M5	2M	M5	325	750	200~410
10000	20,24,28,32,36	PWL10H	8/1.3	16/2.6	20/5	0.75	2M	M5	2M	M5	325	750	200~410
12500	20,24,28,32,36	PWL12H	6.3/1	16/2.6	20/5	0.75x2	1Am	M4	2M	M5	325	750	200~410

PW Double Girder Wire Rope Hoist
Capacity: 3.2t~50t



High efficiency and make more of space.

Accurate orientation, Highly-efficient operation, Improved logistics efficiency.

Safe and reliable, montioed operation, easy maintance.

Modularized design, Lower maintenance cost, Perfect spare parts and components services.

 Technical Parameters

Capacity (t)	Lifting height (m)	Model	Lifting speed (m/min)	Hoist Motor (Kw)	Travel speed (m/min)	Trolley Motor (Kw)	Duty FEM/ISO		H (m)	C (m)	Rails C2C distance mm
							Hoist	Trolley			
3200	6,9,12,15,18	PWD03	5/0.8	3.2/0.45	20/5	0.25x2	2M/M5	2M/M5	500	420	1200
5000	6,9,12,15,18	PWD05	5/0.8	6.1/1	20/5	0.37x2	2M/M5	2M/M5	520	425	1400
6300	6,9,12,15,18	PWD06	5/0.8	6.1/1	20/5	0.37x2	2M/M5	2M/M5	500	425	1400
8000	6,9,12,15,18	PWD08	5/0.8	9.5/1.5	20/5	0.37x2	2M/M5	2M/M5	550	580	1400
10000	6,9,12,15,18	PWD10	5/0.8	9.5/1.5	20/5	0.37x2	2M/M5	2M/M5	550	580	1400
12500	6,9,12,15,18	PWD12	5/0.8	12.5/1.5	20/5	0.55x2	1A/M4	2M/M5	550	580	1400
16000	6,9,12,15,18	PWD16	4/0.6	16/2.6	20/5	0.55x2	2M/M5	2M/M5	720	520	1400
20000	6,9,12,15,18	PWD20	4/0.6	16/2.6	20/5	0.55x2	1A/M4	2M/M5	720	520	1400
25000	6,9,12,15,18	PWD25	3.3/0.8	20/5	20/5	0.75x2	3M/M6	2M/M5	950	450	1700
32000	6,9,12,15,18	PWD32	3.3/0.8	20/5	20/5	1.1x2	2M/M5	2M/M5	950	450	1700
40000	6,9,12,15,18	PWD40	0~4	38	20/5	1.5x2	1A/M4	2M/M5	950	960	1700
50000	6,9,12,15,18	PWD50	0~3	38	20/5	1.5x2	2M/M5	2M/M5	950	960	1700