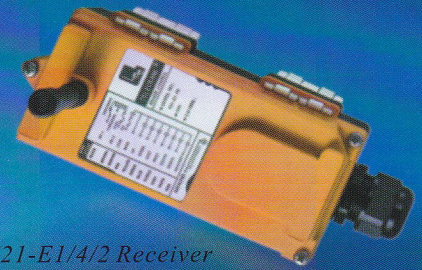
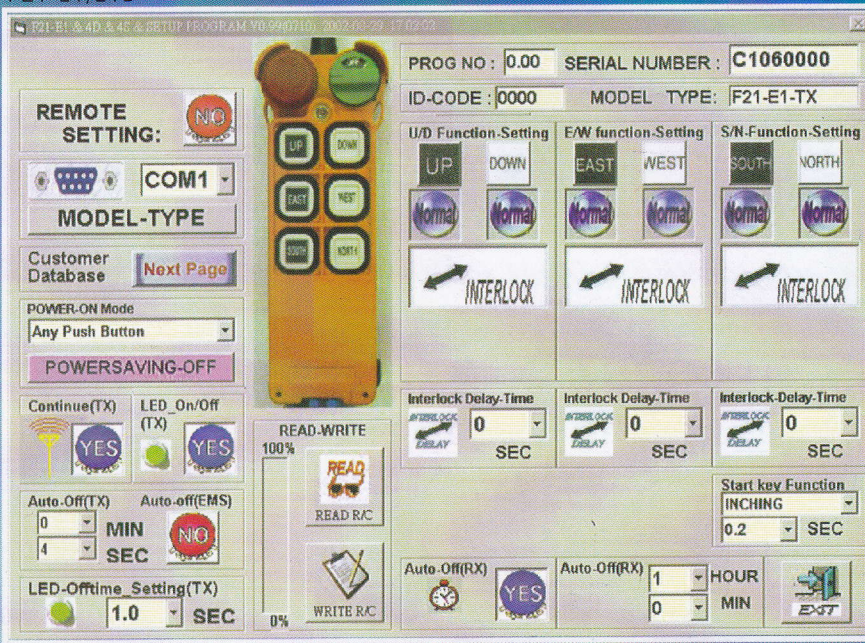


F21 Series PC program window

F21-E1/E1B

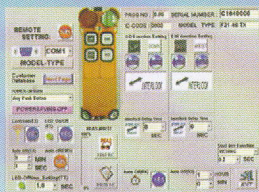


F21-E1/4/2 Receiver
Weight: 550g (w/o wire cable)
Size: 185x85x85mm

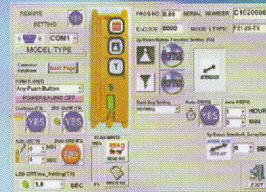
Opt08:CD-ROM & interface cable



Opt09:Copier

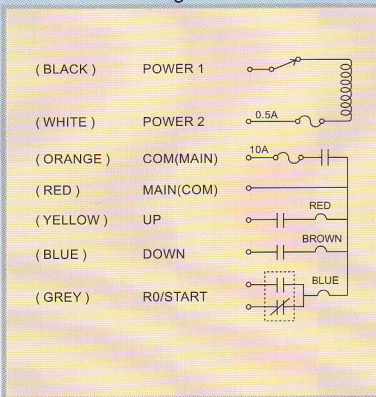


F21-4S/4D/4SB

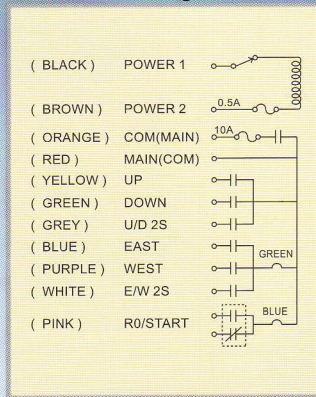


F21-2S/2D

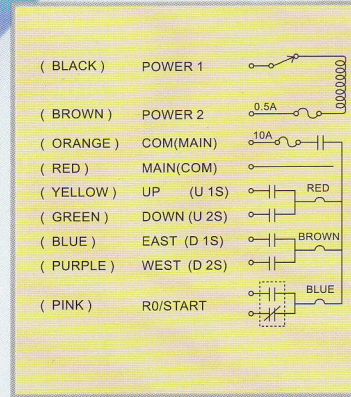
F21-2S Wire Diagram



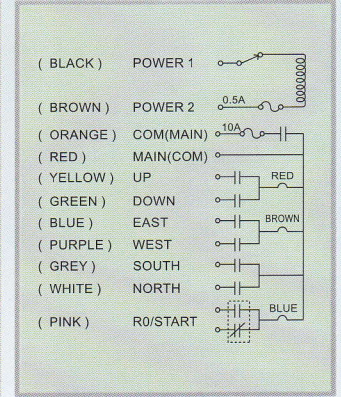
F21-4D Wire Diagram



F21-4S/4SB/2D Wire Diagram



F21-E1/E1B Wire Diagram



Model: F21- 4 D - I

Purchasing information

- 0 DC 12~24V
- 1 AC 48 / 220V 50 / 60Hz
- 2 AC 110 / 220V 50 / 60Hz
- 3 AC 220 / 380V 50 / 60Hz
- 4 AC 48 / 110V 50 / 60Hz
- 5 AC 24 / 48V 50 / 60Hz
- D Double speed
- S Single speed
- 2 2 button
- 4 4 button

F21-4SB-4 4-button w/single speed, AC 48/110V 50/60Hz
 F21-E1-2 6-button w/single speed, AC 110/220V 50/60Hz
 F21-E1B-0 6-button w/single speed, DC 12~24V

